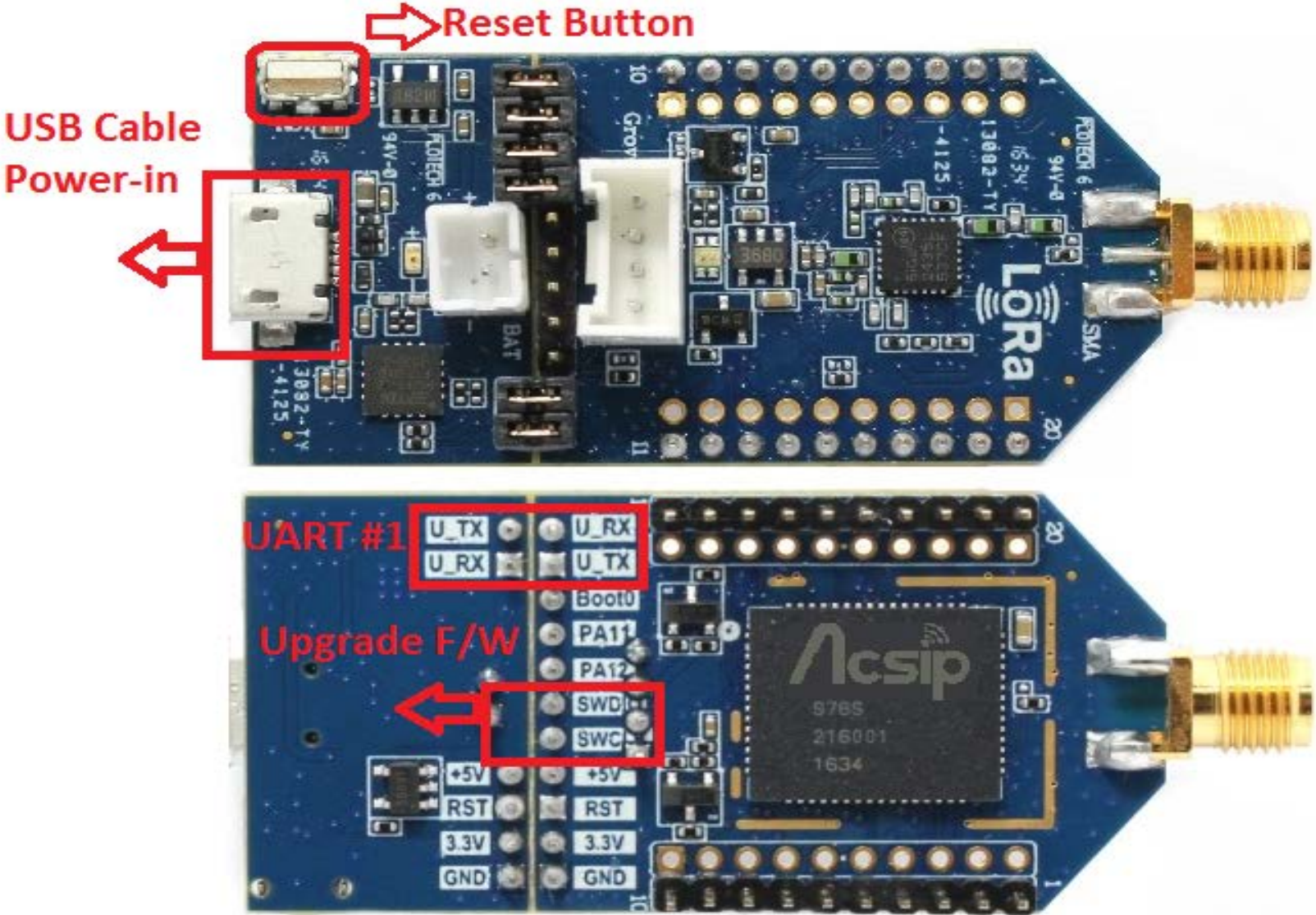


EK-S76SXB / EK-S78SXB Manual



An IoT Solution Company

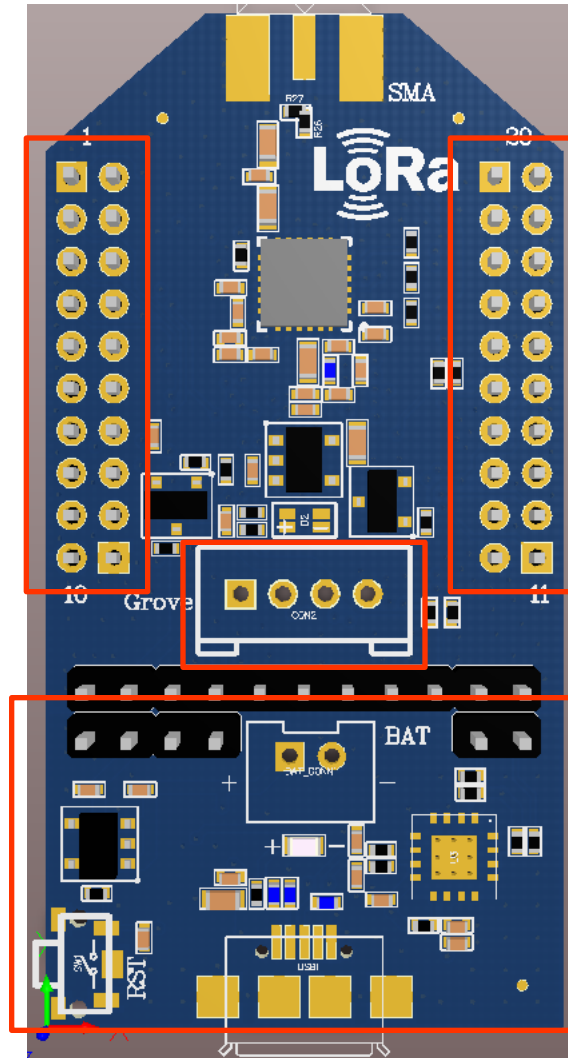
EK-S7XSXB Pinout



EK-S7XSXB Pinout

VCC_IN		PA1_RF_FEM_CPS
PA2_TXD_A		RXTX/RFMOD
PA3_RXD_A		PC8
PA6_SPI1_MISO		PC7
NRST		PC4
PA8_USART1_CK		PC3
PA9		PC2
NC		PWM_External
PC6		VDDIO_External
GND		GND

PC10		PB1_IO_INT2
PC11		PB0_IO_INT1
PC12		PA5_SPI1_SCK
PD2		PA4_SPI1_NSS
PB5		PC5
PB8_IO_LED_FCT		PC1
UART_TX_CPU		NC
UART_RX_CPU		PC0
VDDIO_CPU		PA0
GND		PA7_SPI_MOSI



SCL
SDA
VCC
GND

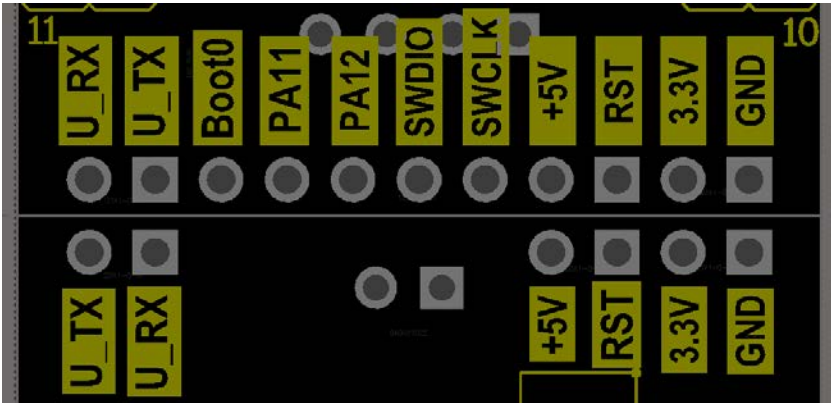
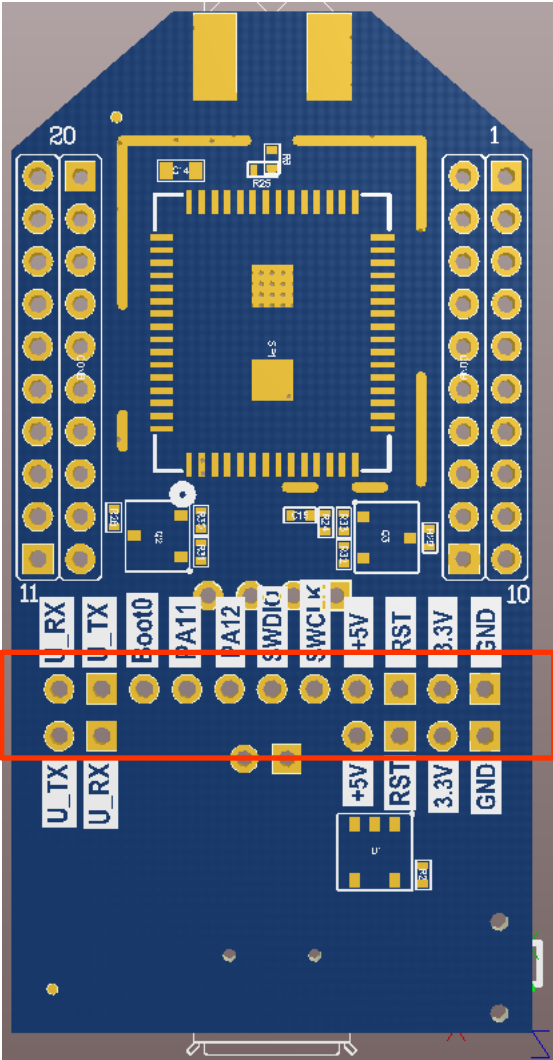


USB TO TTL

USB TO TTL Driver
(FTDI FT230XQ)

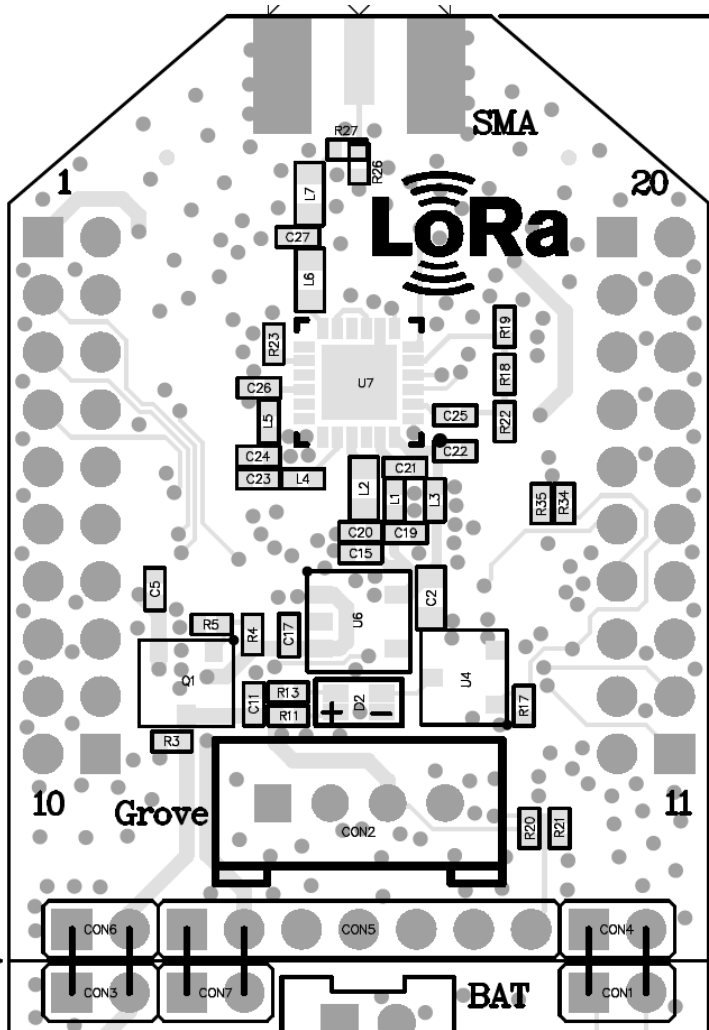
Top view

EK-S7XSXB Pinout

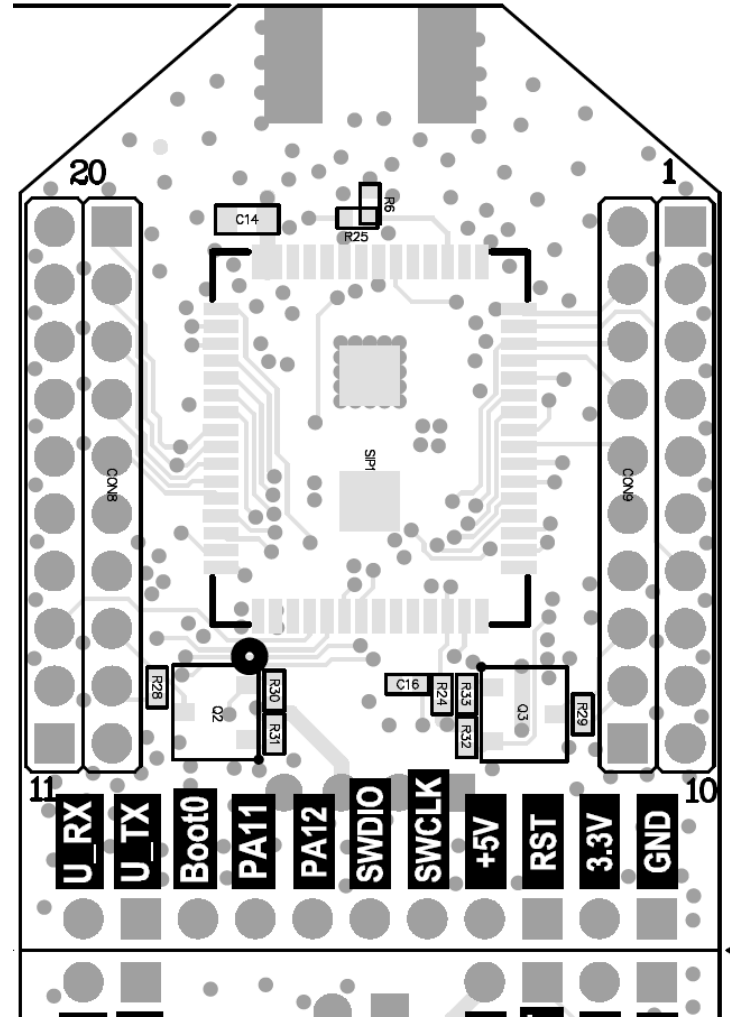


Bottom view

Components Location

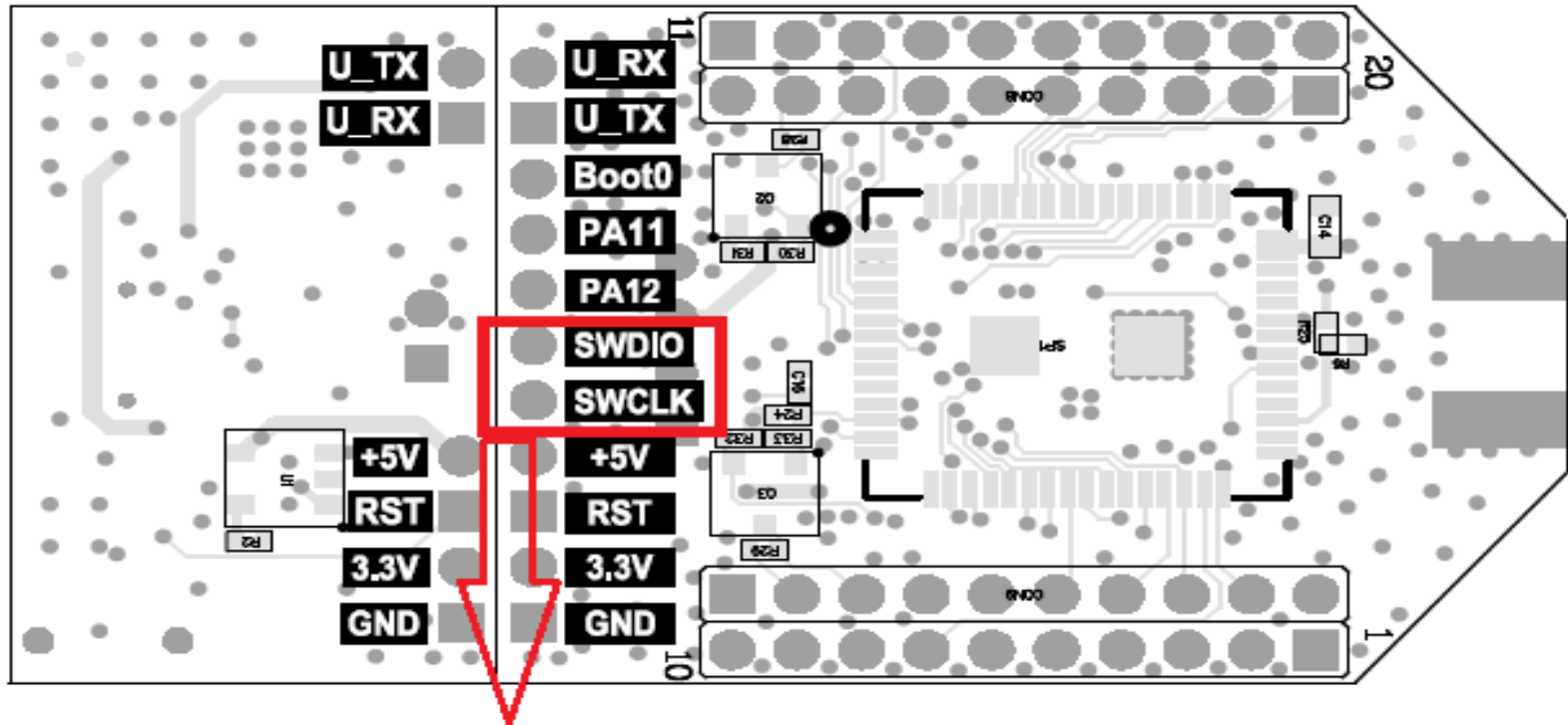


Top view



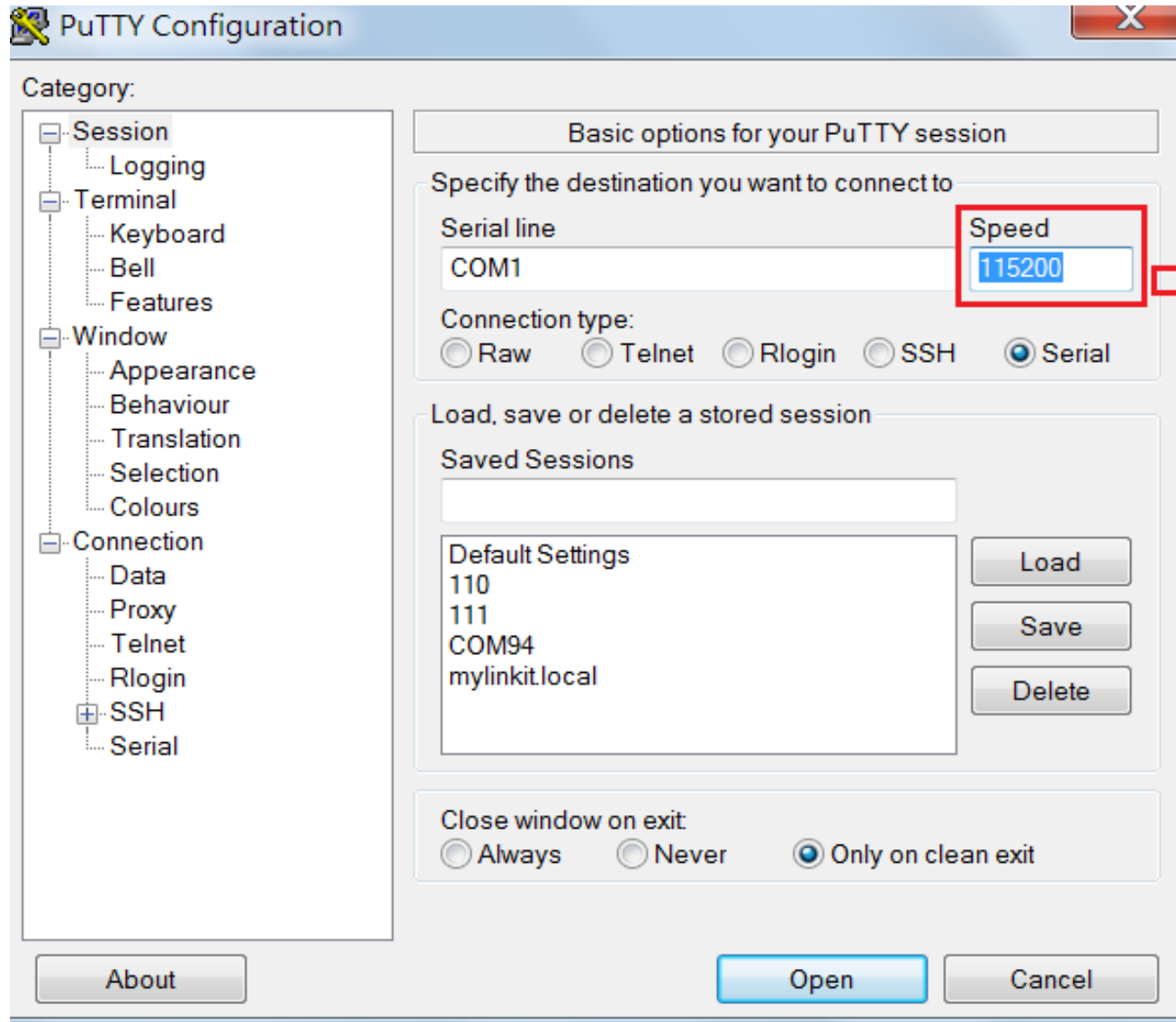
Bottom view

FW Upgrade by ST-LINK



ST-LINK Pin7 <==> S76S SWDIO Pin
ST-LINK Pin9 <==> S76S SWCLK Pin
ST-LINK Pin14 (GND) <==> S76S GND Pin

Console(PuTTY) Setting



**Baudrate:
115200**

Console(PuTTY) Setting

